

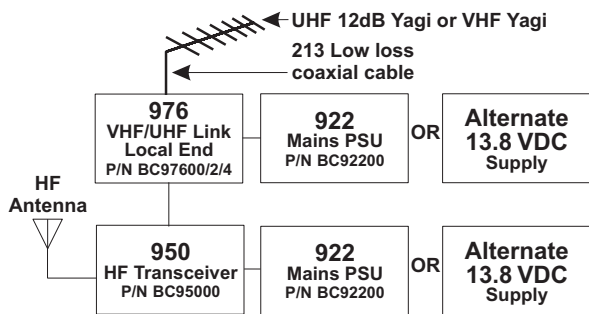
## The 976 UHF Link System

The Barrett 976 UHF link system is a range of full duplex RF links operating in the 400 MHz and 900 MHz bands. These modules are mounted in a 2U 19" rack mounting case and have interface circuitry and connectors designed to interface directly with Barrett 500 or 900 series transceivers or receivers using standard Barrett busing cables.

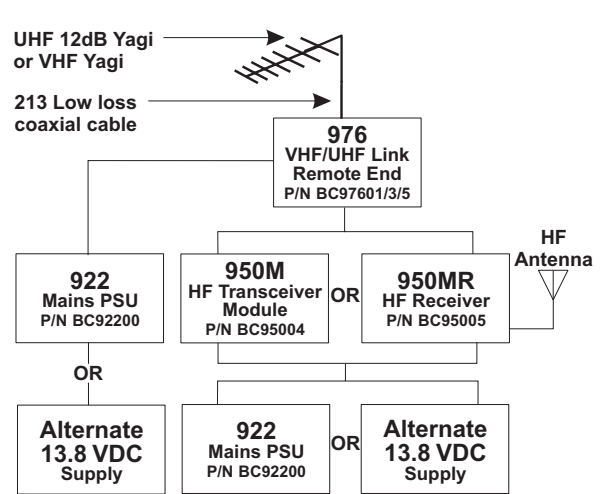
All parameters are programmed into the RF modules using the supplied Windows based software package via a serial communications port on the rear connector.

### BARRETT 976 UHF Remote Site Link System General Arrangement

#### Remote site



#### Local Site



#### STANDARD CONFIGURATIONS:

##### 400 MHz Link

BC97600	UHF 400 MHz Duplex Link local end
BC97601	UHF 400 MHz Duplex Link remote end with remote site controller PCB fitted.
BCA97600	400-520 MHz 12dB gain yagi - female "N" type connector
BCA97602	2 off male "N" type connectors to suit 213 ALL low loss coax
BCA97603	213ALL Low loss coax per metre
BCA97604	Universal bracket to mount 12dB yagi on 50mm pole.

##### 900 Mhz Link

BC97602	UHF 900 MHz Duplex Link local end
BC97603	UHF 900 MHz Duplex Link remote end with remote site controller PCB fitted.
BCA97601	915-928 MHz 12dB gain yagi - female "N" type connector
BCA97602	2 off male "N" type connectors to suit 213 ALL low loss coax
BCA97603	213ALL Low loss coax per metre
BCA97604	Universal bracket to mount 12dB yagi on 50mm pole.

#### Head Office:

Barrett Communications Pty Ltd P O Box 1214, Bibra Lake WA 6965 AUSTRALIA  
Toll Free Tel: 1800 999 580 Tel: (618) 9434 1700 Fax: (618) 9418 6757  
email: [information@barrettcommunications.com.au](mailto:information@barrettcommunications.com.au)  
internet: [www.barrettcommunications.com.au](http://www.barrettcommunications.com.au)

#### European Office:

Barrett Europe Limited 19 Lenten Street Alton, Hampshire GU34 1HG  
UNITED KINGDOM Tel: (44) 1420 542254 Fax: (44) 1420 543373  
email: [information@barretteurope.co.uk](mailto:information@barretteurope.co.uk)  
internet: [www.barrettcommunications.com.au](http://www.barrettcommunications.com.au)

Dealer Stamp